

Technical data sheet



Product features

Cooking range electric 6x plates with oven GN 2/1

Model	SAP Code	00014646
--------------	-----------------	----------



- Device type: Electric unit
- Power consumption of the zone 1 [kW]: 3,5
- Power consumption of the zone 2 [kW]: 3,5
- Power consumption of the zone 3 [kW]: 3,5
- Power consumption of the zone 4 [kW]: 3,5
- Power consumption of the zone 5 [kW]: 3,5
- Power consumption of the zone 6 [kW]: 3,5
- Type of internal part of the appliance 1 (eg oven): Electric
- Protection of controls: IPX4
- Material: AISI 304 top plate, AISI 430 cladding

SAP Code	00014646	Power consumption of the zone 1 [kW]	3,5
Net Width [mm]	1200	Power consumption of the zone 2 [kW]	3,5
Net Depth [mm]	900	Power consumption of the zone 3 [kW]	3,5
Net Height [mm]	900	Power consumption of the zone 4 [kW]	3,5
Net Weight [kg]	161.00	Power consumption of the zone 5 [kW]	3,5
Power electric [kW]	27.300	Power consumption of the zone 6 [kW]	3,5
Loading	400 V / 3N - 50 Hz	Type of internal part of the appliance 1 (eg oven)	Electric
Number of zones	6	Diameter of device [mm]	300

Technical data sheet



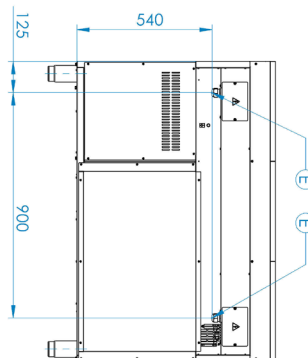
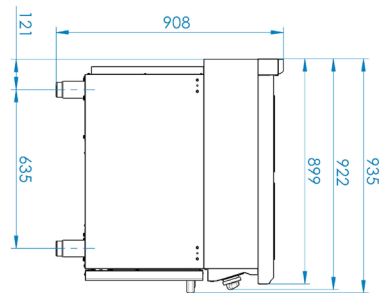
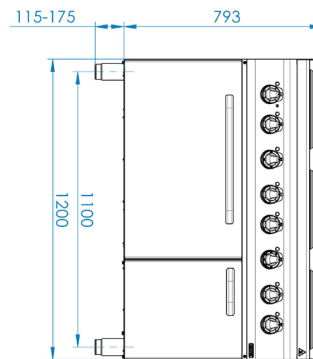
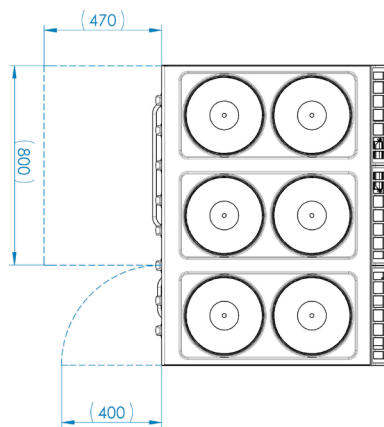
Technical drawing

Cooking range electric 6x plates with oven GN 2/1

Model

SAP Code

00014646



Technical data sheet



Technical parameters

Cooking range electric 6x plates with oven GN 2/1

Model

SAP Code

00014646

1. SAP Code:

00014646

2. Net Width [mm]:

1200

3. Net Depth [mm]:

900

4. Net Height [mm]:

900

5. Net Weight [kg]:

161.00

6. Gross Width [mm]:

1260

7. Gross depth [mm]:

990

8. Gross Height [mm]:

1180

9. Gross Weight [kg]:

177.00

10. Device type:

Electric unit

11. Construction type of device:

With substructure

12. Power electric [kW]:

27.300

13. Loading:

400 V / 3N - 50 Hz

14. Protection of controls:

IPX4

15. Material:

AISI 304 top plate, AISI 430 cladding

16. Worktop type:

Molded - comfortable cleaning maintenance

17. Worktop material:

AISI 304

18. Worktop Thickness [mm]:

1.50

19. Number of zones:

6

20. Power consumption of the zone 1 [kW]:

3,5

21. Power consumption of the zone 2 [kW]:

3,5

22. Power consumption of the zone 3 [kW]:

3,5

23. Power consumption of the zone 4 [kW]:

3,5

24. Power consumption of the zone 5 [kW]:

3,5

25. Power consumption of the zone 6 [kW]:

3,5

26. Number of power control stages:

6

27. Service accessibility:

Trough the frontal panel

28. Safety element:

internal thermostatic protection of the hotplate against overheating

Technical data sheet



Technical parameters

Cooking range electric 6x plates with oven GN 2/1

Model

SAP Code

00014646

29. Adjustable feet:

Yes

34. Oven size:

GN 2/1

30. Number of burners/hot plates:

6

35. Oven material:

Stainless steel

31. Diameter of device [mm]:

300

36. Type of internal part of the appliance 1 (eg oven):

Electric

32. Type of electric cooking zones:

Oval

37. Gasket:

Yes

33. Oven Type:

electrical static